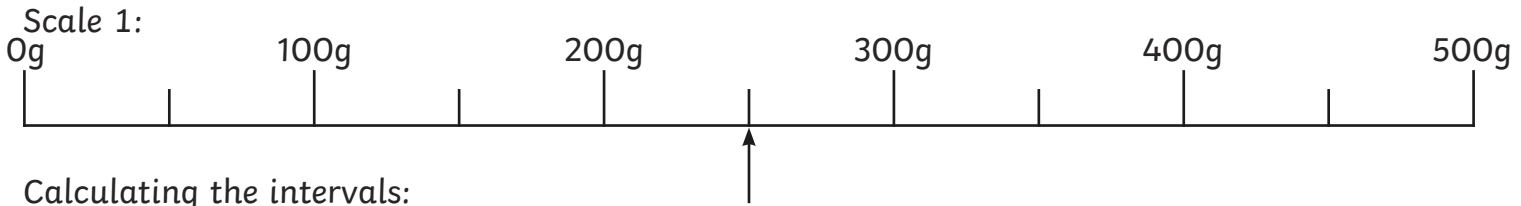


Reading Scales to Measure in Grams

I can read scales to measure in grams.



For each scale, write a calculation to show how you worked out what each interval is worth and then say how many grams the arrows are pointing to. The first one has been done for you.



Calculating the intervals:

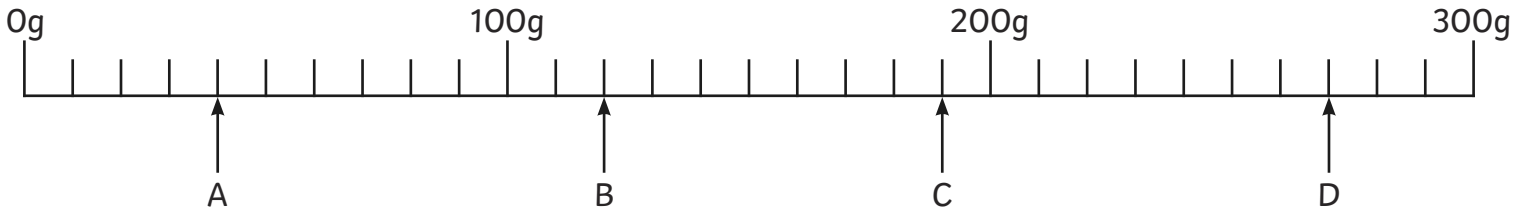
There are 2 intervals between 0 and 100.

$$100 \div \underline{2} = 50$$

Each interval is worth 50 g.

The arrow is pointing to 250 g.

Scale 2:



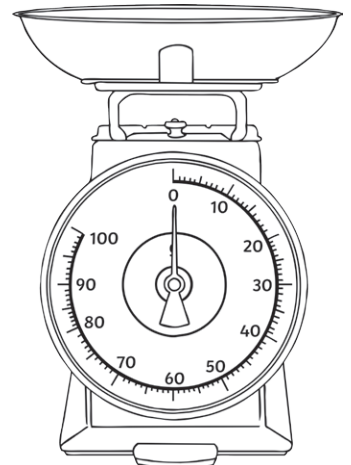
There are _____ intervals between 0 and 100.

$$100 \div \underline{\quad} = \underline{\quad}$$

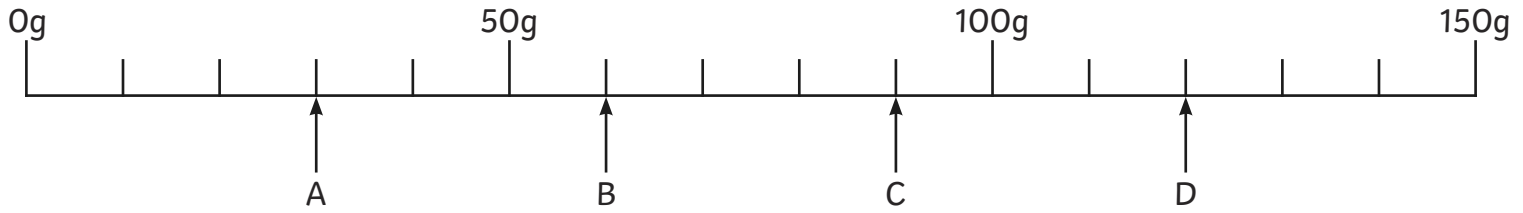
Each interval is worth _____ g.

Arrows are pointing to:

- A _____ g
- B _____ g
- C _____ g
- D _____ g



Scale 3:



There are ____ intervals between 0 and 50.

$$50 \div \underline{\quad} = \underline{\quad}$$

Each interval is worth ____ g.

Arrows are pointing to:

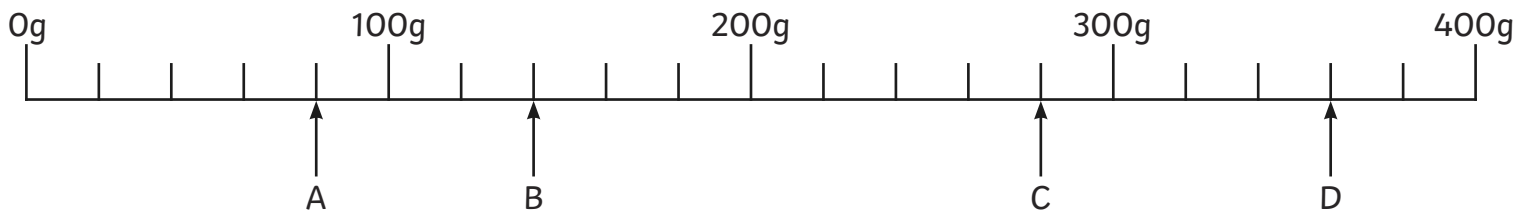
A ____ g

B ____ g

C ____ g

D ____ g

Scale 4:



There are ____ intervals between 0 and 100.

$$100 \div \underline{\quad} = \underline{\quad}$$

Each interval is worth ____ g.

Arrows are pointing to:

A ____ g

B ____ g

C ____ g

D ____ g

Reading Scales to Measure in Grams **Answers**

I can read scales to measure in grams.



Scale 2:

There are 10 intervals between 0 and 100.

$$100 \div \underline{10} = \underline{10}$$

Each interval is worth 10 g.

Arrows are pointing to:

A 40 g

B 120 g

C 190 g

D 270 g

Scale 3:

There are 5 intervals between 0 and 50.

$$50 \div \underline{5} = \underline{10}$$

Each interval is worth 10 g.

Arrows are pointing to:

A 30 g

B 60 g

C 90 g

D 120 g

Scale 4:

There are 5 intervals between 0 and 100.

$$100 \div \underline{5} = \underline{20}$$

Each interval is worth 20 g.

Arrows are pointing to:

A 80 g

B 140 g

C 280 g

D 360 g

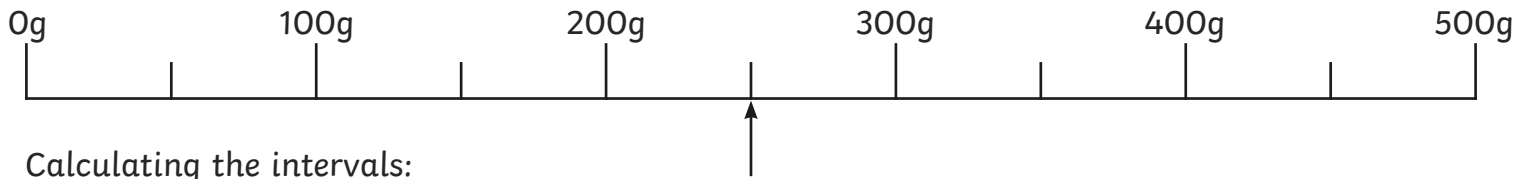
Reading Scales to Measure in Grams

I can read scales to measure in grams.



For each scale, write a calculation to show how you worked out what each interval is worth and then say how many grams the arrows are pointing to. The first one has done for you.

Scale 1:



Calculating the intervals:

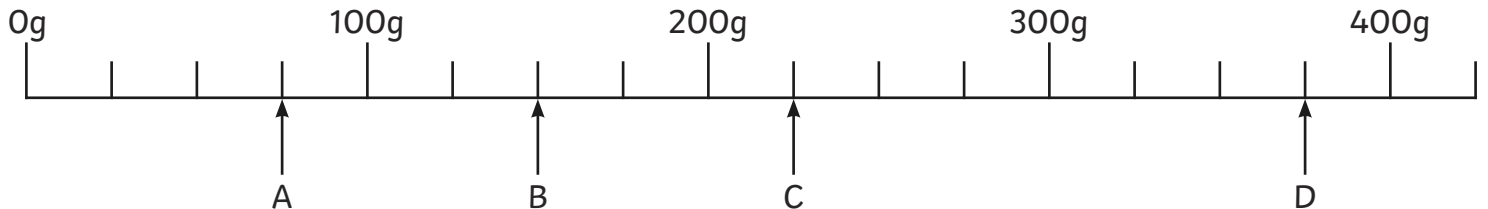
There are 2 intervals between 0 and 100.

$$100 \div \underline{2} = 50$$

Each interval is worth 50 g.

The arrow is pointing to 250 g.

Scale 2:



Calculating the intervals:

There are ____ intervals between 0 and 100.

$$100 \div \underline{\quad} = \underline{\quad}$$

Each interval is worth ____ g.

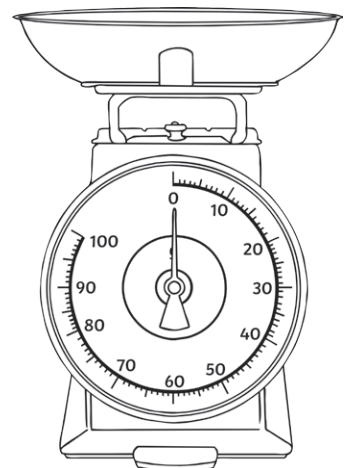
Arrows are pointing to:

A ____ g

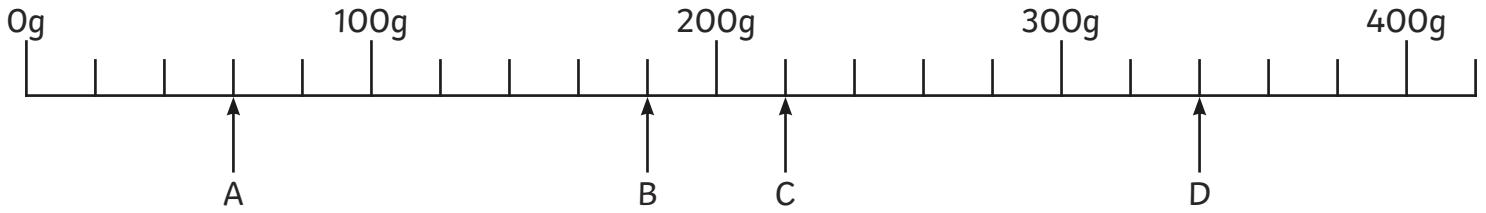
B ____ g

C ____ g

D ____ g



Scale 3:



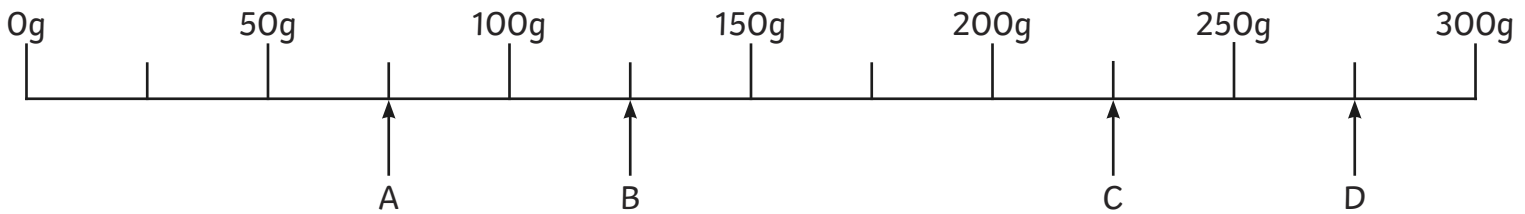
Write a sentence to explain how you calculated the intervals:

Calculating the intervals:

Arrows are pointing to:

- A _____ g
- B _____ g
- C _____ g
- D _____ g

Scale 4:



Write a sentence to explain how you calculated the intervals:

Calculating the intervals:

Arrows are pointing to:

- A _____ g
- B _____ g
- C _____ g
- D _____ g

Reading Scales to Measure in Grams **Answers**

I can read scales to measure in grams.



Scale 2:

There are 4 intervals between 0 and 100.

$$100 \div \underline{4} = \underline{25}$$

Each interval is worth 25 g.

Arrows are pointing to:

A 75 g

B 150 g

C 225 g

D 375 g

Scale 3:

Write a sentence to explain how you calculated the intervals:

A sentence explaining that to calculate the smaller intervals you divide the difference between the 2 larger intervals by the number of intervals. This gives the answer 20g.

Arrows are pointing to:

A 60 g

B 180 g

C 220 g

D 340 g

Scale 4:

Write a sentence to explain how you calculated the intervals:

A sentence explaining that to calculate the smaller intervals you divide the difference between the 2 larger intervals by the number of intervals. This gives the answer 25g.

Arrows are pointing to:

A 75 g

B 125 g

C 225 g

D 275 g

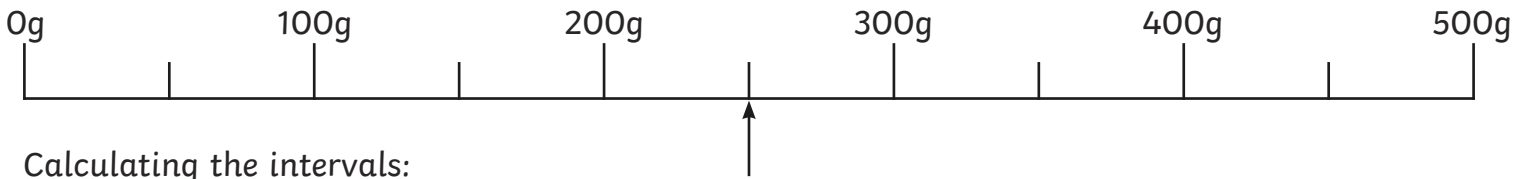
Reading Scales to Measure in Grams

I can read scales to measure in grams.



For each scale, write a calculation to show how you worked out what each interval is worth and then say how many grams the arrows are pointing to. The first one has done for you.

Scale 1:



Calculating the intervals:

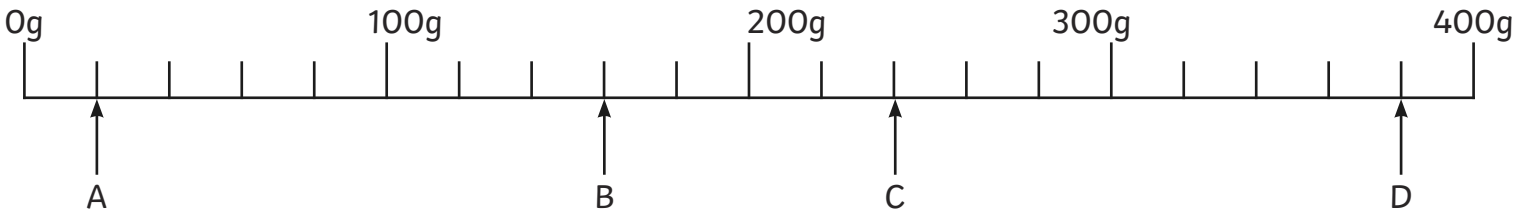
There are 2 intervals between 0 and 100.

$$100 \div \underline{2} = 50$$

Each interval is worth 50 g.

The arrow is pointing to 250 g.

Scale 2:



Write a sentence to explain how you calculated the intervals:

Calculating the intervals:

Arrows are pointing to:

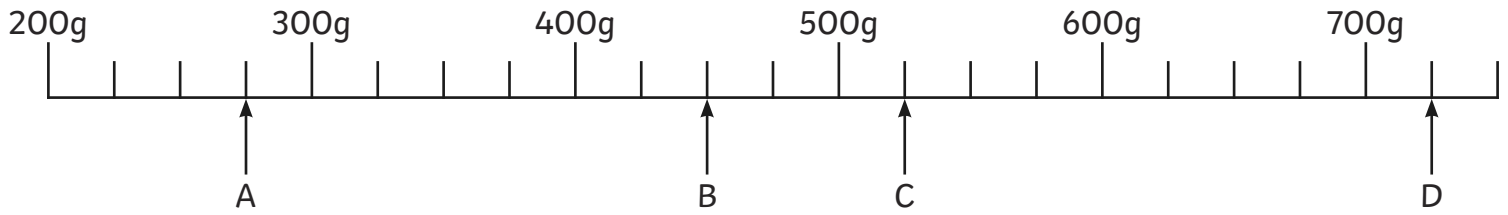
A _____ g

B _____ g

C _____ g

D _____ g

Scale 3:



Write a sentence to explain how you calculated the intervals:

Calculating the intervals:

Arrows are pointing to:

- A _____ g
- B _____ g
- C _____ g
- D _____ g

Scale 4:

Use a ruler to draw your own scale.

On the scale mark the following masses:

Arrows are pointing to:

- A **75** g
- B **150** g
- C **225** g
- D **375** g

Reading Scales to Measure in Grams **Answers**

I can read scales to measure in grams.



Scale 2:

Write a sentence to explain how you calculated the intervals:

A sentence explaining that to calculate the smaller intervals you divide the difference between the 2 larger intervals by the number of intervals. This gives the answer 20g.

Arrows are pointing to:

- A 20 g
- B 160 g
- C 240 g
- D 380 g

Scale 3:

Write a sentence to explain how you calculated the intervals:

A sentence explaining that to calculate the smaller intervals you divide the difference between the 2 larger intervals by the number of intervals. This gives the answer 25g.

Arrows are pointing to:

- A 275 g
- B 450 g
- C 525 g
- D 725 g

Scale 4:

The scale shows equally spaced intervals, the larger intervals labelled.

The choice of intervals is suitable for the numbers and the masses are indicated accurately.